

Daikin Air Conditioners Fresh Air Intake Kit Installation manual

KDDQ50A140

READ THESE INSTRUCTIONS CAREFULLY
BEFORE INSTALLATION.

2P278019-1A

- Caution**
- This kit can be installed on ceiling suspended type air conditioners.
 - A duct (normal diameter $\phi 100$) is required to use this kit.

- Follow the local code or regulation to install the duct.
- Where it contact the outside air, make sure to install air filter to protect heat exchanger for indoor unit.
- In case that metal duct is penetrated through wooden wall, make sure the duct and the wall are electrically insulated.
- At the outdoor side, install the duct inclined downwardly so that the rain will not get into the duct. (Inclination 1/100 - 1/50)
- Where it contact the outside air, make sure to install screen to avoid birds, small animals or insects getting inside the duct.

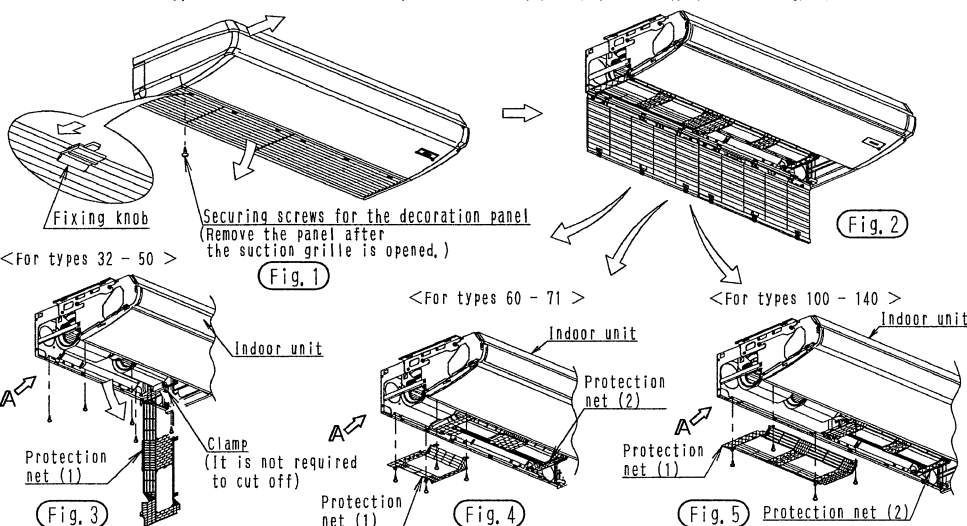
Components Check if the following parts are included with your kit.

Name	① Duct flange	② Air flow plate	③ Installation screw	④ Insulation material for the opening section of the main unit	⑤ Insulation material for duct flange	⑥ Insulation material for fan (1)	⑦ Insulation material for fan (2)	⑧ Installation manual
Quantity	1 pc.	1 pc.	4 pcs.	1 pc.	1 pc.	1 pc.	1 pc.	1 pc.
Shape								(This paper)

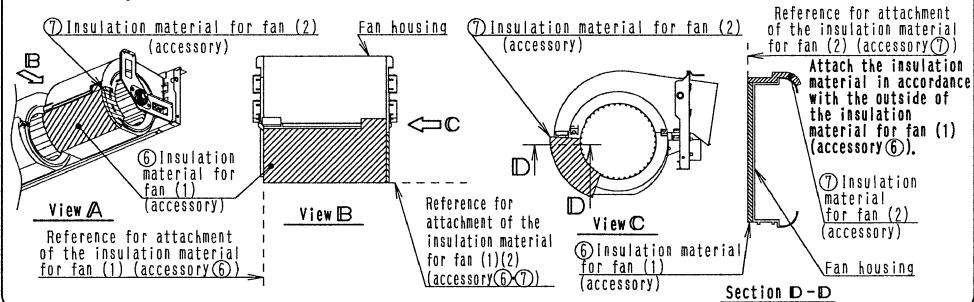
Necessary tools for installation Robertson screwdriver, nippers, cutter, etc.

1 Preparations for installation

- Open the suction grille of the indoor unit, and remove the decoration panel (left) from the unit.
 - Slide the fixing knobs (For types 32 - 50 : Each 2 places, For types 60 - 140 : Each 3 places) on the suction grille toward the rear (direction of the arrows), and open the suction grille. (Refer to Fig. 1 and 2)
 - After removing the securing screw (1 pc.) for the decoration panel (left), pull the panel forward in the direction of the arrows to remove it. (Refer to Fig. 1 and 2)
- Remove the protection net.
 - Indoor units for types 32 - 50 : Remove the protection net (1). (5 screws)(Refer to Fig. 3)
 - (It is not required to cut off the clamp fixing the protection net.)
 - Indoor units for types 60 - 71 : Remove the protection net (1) only (4 screws). (Refer to Fig. 4)
 - Indoor units for types 100 - 140 : Remove the protection net (1) only (4 screws). (Refer to Fig. 5)

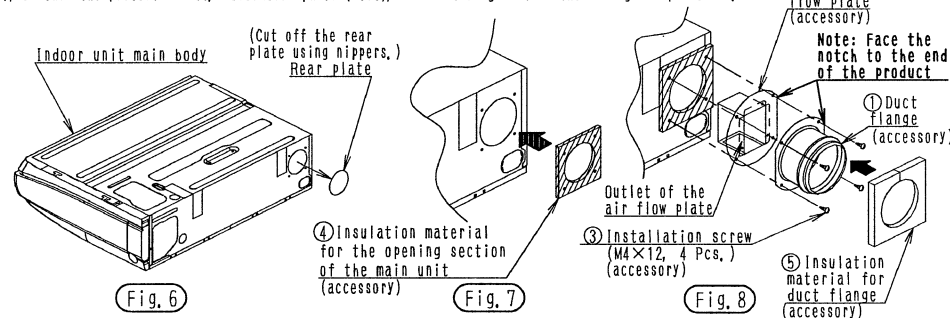


- Attach the insulation material for fans (1) (accessory ⑥) to the fan housing (housing which is the closest to the fresh air intake port), and attach the insulation material for fans (accessory ⑦) to the side of the housing. (Refer to View A.)
 - After the insulation material for fan (1) (accessory ⑥) is attached, attach the insulation material for fan (2) (accessory ⑦) in accordance with the reference for attachment. (Refer to View B and C.)
 - For the reference for attachment on section R of the insulation material for fan (2) (accessory ⑦), refer to the outside of the insulation material for fan (1) (accessory ⑥). (Refer to cross section D-D.)
- Note:** Attaching the insulation material outside the reference area for attachment can cause water splashing.



2 Installation of duct flange

- Cut the rear plate of the indoor unit along the knock hole without damaging the plate. (Refer to Fig. 6)
 - Attach the insulation material for the opening section of the main unit (accessory ④) to the opening section. (Refer to Fig. 7)
 - Install air flow plate (accessory ②) and duct flange (accessory ①) on the opening section using the installation screws (M4 x 12, 4 pcs.) (accessory ③). After that, attach the insulation material for duct flange (5). (Refer to Fig. 8)
- Note:** Make sure to orient the air outlet of air flow plate (accessory ②) downward (suction grille side).
- Install the protection net, decoration panel (left), and suction grille on their original positions.



3 Connection of duct < Duct: Normal diameter $\phi 100$ >

- Connect the duct to the outside of the duct flange. (Refer to Fig. 9)
- Caution**
- At the outdoor side, install the duct inclined downwardly so that the rain will not get into the duct. (Inclination 1/100 - 1/50) (Penetration of water into the unit may result in leakage.)
 - Where it contact the outside air, make sure to install screen to avoid birds, small animals or insects getting inside the duct. (Entry of small animals and insects may result in electric shock in the control box.)

- Tie the connected portions with band and wrap with tape to prevent air leak. (Refer to Fig. 9)
-

- Caution**
- Insulate the duct to prevent condensate.
 - Do not perform the following duct work. (Right figure)
-